

Multi-Band Hybrid Coupler/Combiner
800-2500MHz, N & 7/16 Din-Connectors, 25dB Isolation, Minimum



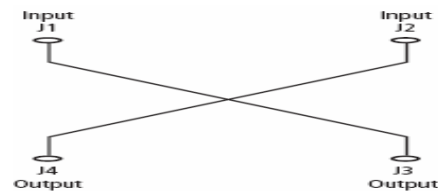
- **Multiple-Band Frequency Range, Cellular, PCS, UMTS**
- **120Watt Average Power Rating**
- **25dB Isolation, Min**
- **Minimal RF Insertion Loss**
- **High Reliability**
- **Low Passive Intermodulation (PIM)**
- **Environment IP65**
- **N & 7/16 Din Female Connectors**



The BXH series of 3dB Hybrid Couplers is designed to meet the special requirement of wireless market. It can combine two channels from different service supplier to a single antenna or distribution cable. This requires the termination of one output port in the 50 ohm and results in a 3dB loss in each signal. In situations where two similar feeds are required, for example an in-building application, both outputs may be used, eliminating the need for a termination and the 3dB loss. All of them are conformance to IP65 specification.

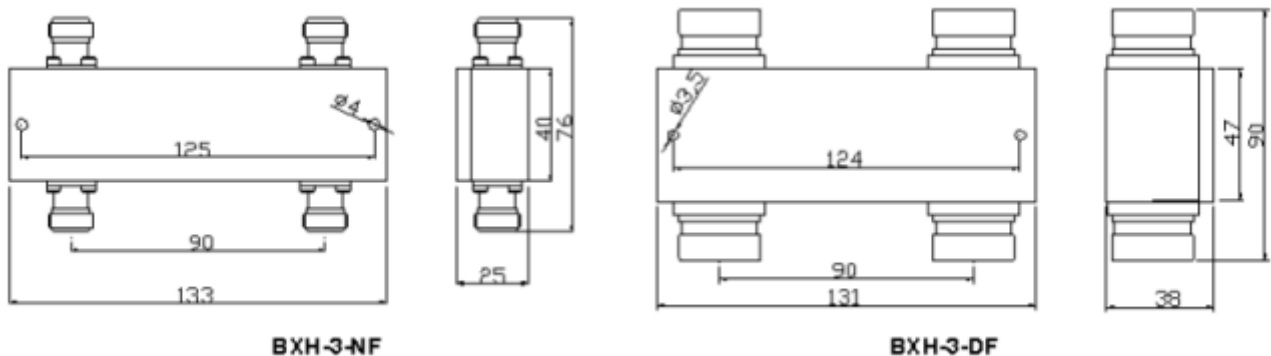
The ultra wide frequency range allows use with multi-band antennas and leaky cable systems and wireless base stations.

VSWR:	1.20:1 Max. All Ports
Coupling:	3.1 ± 0.2dB
Coupling Variation:	± 0.3dB
PIM, Passive IM:	-140dBc, 2x43dBm
Impedance:	50 ohm, nominal
Temperature Range, C	-25° to +75°
Environment:	IP65, RoHS compliant
Housing:	Passivated Aluminum or powder paint
Connectors:	N (f), 7/16 Din tri-plate
DC capability:	DC transmission only between cross ports
PIM <	-150dBc to special order



PN.	Frequency Range, MHz	Input Isolation dB Min.	Insertion Loss dB Max.	Power Rating W Avg.	Weight g.
BXH-3-NF	800~2500	25	0.25	120	420
BXH-3-DF	800~2500	25	0.25	120	840

Dimensions, mm



All Specifications are subject to change without prior notice