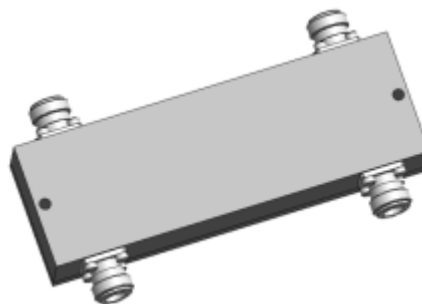


3dB Hybrid Coupler/Combiner
120-240MHz, N Connectors, 30dB Isolation, Minimum

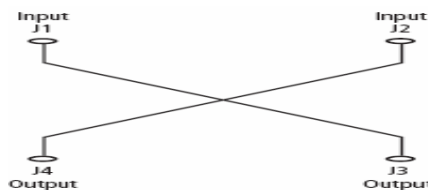
- 200Watt Average Power Rating
- 30dB Isolation, Min
- Minimal RF Insertion Loss
- High Reliability
- Environment IP65
- N Female Connectors



The BXH series of 3dB Hybrid Couplers is designed to meet the special requirement of wireless market. It can combine two channels from different service supplier to a single antenna or distribution cable. This requires the termination of one output port in the 50 ohm and results in a 3dB loss in each signal. In situations where two similar feeds are required, for example an in-building application, both outputs may be used, eliminating the need for a termination and the 3dB loss. All of them are conformance to IP65 specification.

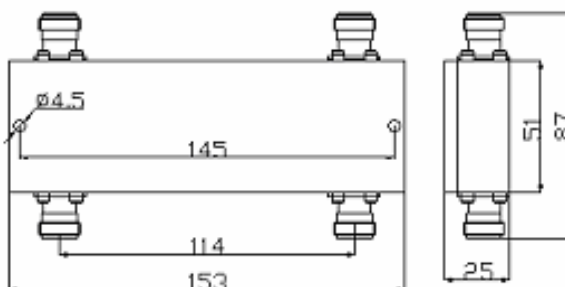
This device allows use with antennas and leaky cable systems and wireless base stations.

VSWR:	1.20:1 Max. All Ports
Coupling:	3dB, nominal
Coupling Variation:	±0.5dB
Impedance:	50 ohm, nominal
Temperature Range, C	-25° to +75°
Environment:	IP65, RoHS compliant
Housing:	Passivated Aluminum or powder paint
Connectors:	N (f), tri-plate
DC capability:	DC transmission only between cross ports



PN.	Frequency Range, MHz	Input Isolation dB Min.	Insertion Loss dB Max.	Power Rating W Avg.	Weight g.
BXH-3-NFB	120~240	30	0.2	200	700

Dimensions, mm



BXH- 3-NFB

All Specifications are subject to change without prior notice